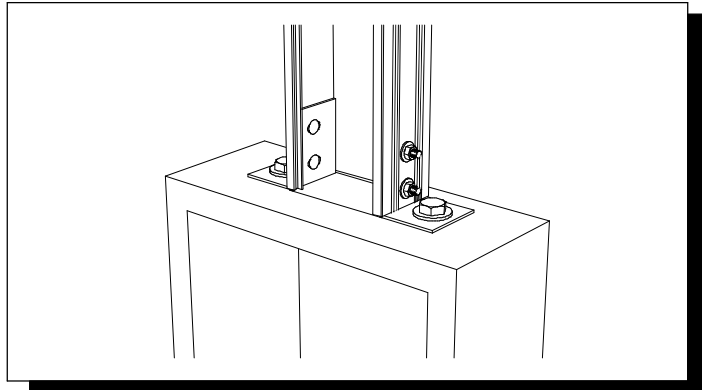


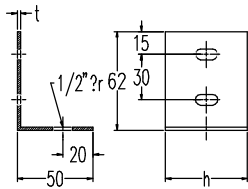


ARCP-燈槽配電盤連接片(PANEL PLATE CONNECTOR)

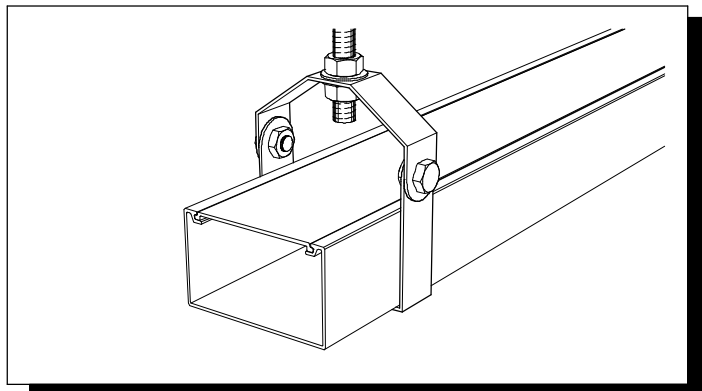
NSOR-燈槽吊環(HANGER CLAMP)



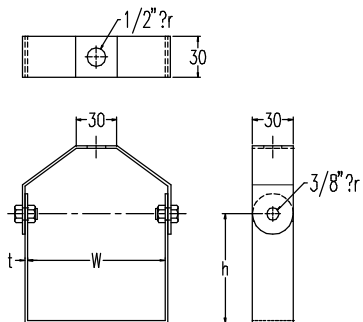
(Units: mm)



燈槽配電盤連接片 PANEL PLATE CONNECTOR			
CAT. NO.	H	h	t
ARCP-04	40	34	2.0
ARCP-06	60	54	
ARCP-10	100	94	



(Units: mm)



燈槽吊環 HANGER CLAMP				
CAT. NO.	W	H	h	t
NSOR-0406	60	40	60	2.0
NSOR-0408	80		80	
NSOR-0610	100	60	120	
NSOR-0612	120		150	
NSOR-0615	150		200	
NSOR-1020	200	100	120	