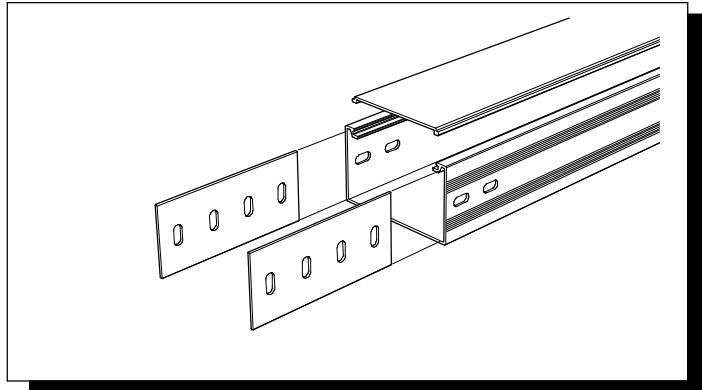


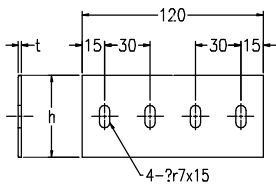


ARCS -燈槽連接片(CONNECTOR)

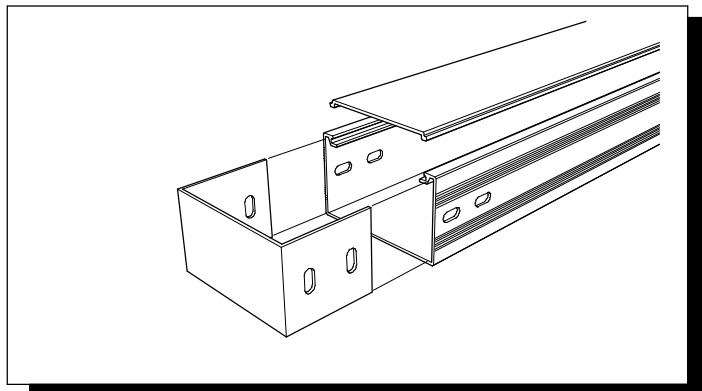
ARPE -燈槽終端封板(END COVER)



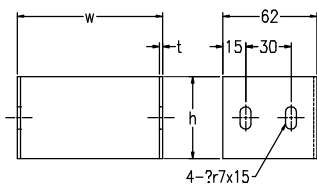
(Units: mm)



燈槽連接片 CONNECTOR		
CAT. NO.	h	t
ARCS-04	31	2.0
ARCS-06	51	
ARCS-10	91	



(Units: mm)



燈槽終端封板 END COVER			
CAT. NO.	w	h	t
ARPE-0406	56	34	2.0
ARPE-0408	76		
ARPE-0610	96	54	
ARPE-0612	116		
ARPE-0615	146		
ARPE-1020	196	94	