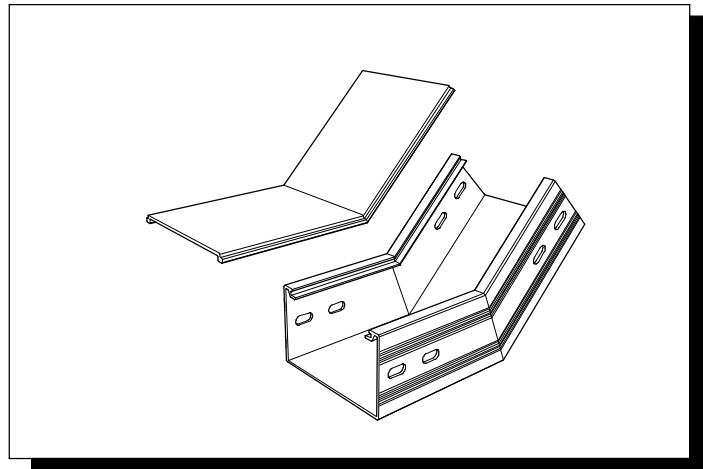
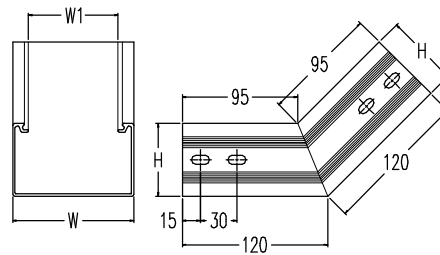


ARI4-垂直上升45°燈槽彎頭(VERTICAL INSIDE 45° ELBOW)



垂直上升45°燈槽彎頭蓋板
VERTICAL INSIDE 45° ELBOW COVER



垂直上升45°燈槽彎頭
VERTICAL INSIDE 45° ELBOW

(Units: mm)

垂直上升45°燈槽彎頭 VERTICAL INSIDE 45° ELBOW				
CAT. NO.	W	H	W1	W2
ARI4-0406	60	40	35	43
ARI4-0408	80		55	63
ARI4-0610	100		75	83
ARI4-0612	120	60	95	103
ARI4-0615	150		125	133
ARI4-1020	200		175	183