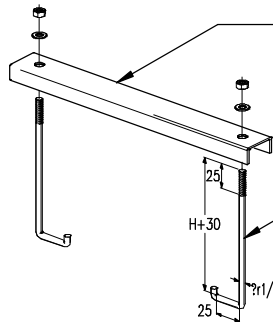
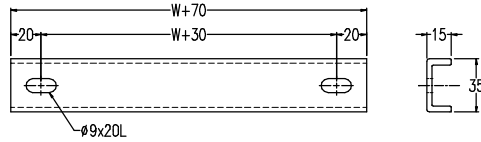
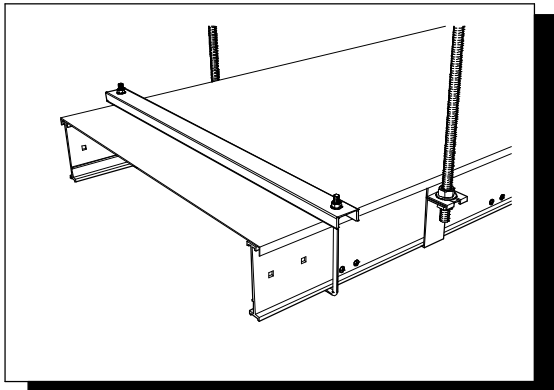


NAMJ - 鉤釘式線槽蓋板固定夾(J-TYPE COVER CLAMP)

NTME - 側夾式線槽蓋板固定夾(E-TYPE COVER CLAMP)



鋁製蓋板壓條—

材 質 : 鋁合金 6063-T5

表面處理 : 陽極處理

MATERIAL : ALUMINUM ALLOYS 6063-T5

FINISH : ALUMINUM ANODIC TREATMENT

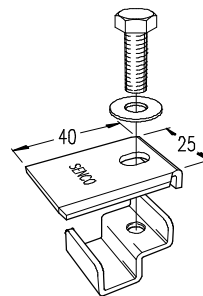
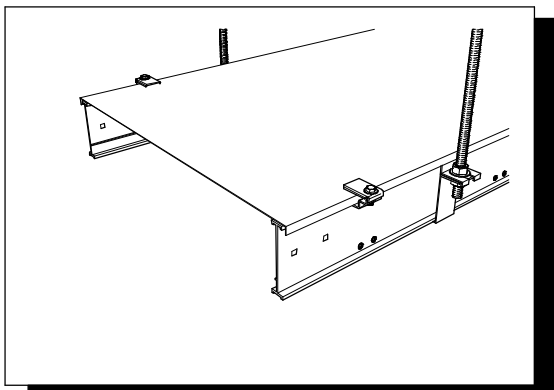
七字鉤釘—

材 質 : 不銹鋼 SUS304

MATERIAL : STAINLESS STEEL SUS304

(Units: mm)

鉤釘式線槽蓋板固定夾 J-TYPE COVER CLAMP							
CAT. NO.	適用線槽高度						
	60H 系列	80H 系列	100H系列	120H系列	150H系列	200H系列	
適 用 線 槽 寬 度	100W	NAMJ-0601	NAMJ-0801	NAMJ-1001	NAMJ-1201	NAMJ-1501	NAMJ-2001
	200W	NAMJ-0602	NAMJ-0802	NAMJ-1002	NAMJ-1202	NAMJ-1502	NAMJ-2002
	300W	NAMJ-0603	NAMJ-0803	NAMJ-1003	NAMJ-1203	NAMJ-1503	NAMJ-2003
	400W	NAMJ-0604	NAMJ-0804	NAMJ-1004	NAMJ-1204	NAMJ-1504	NAMJ-2004
	500W	NAMJ-0605	NAMJ-0805	NAMJ-1005	NAMJ-1205	NAMJ-1505	NAMJ-2005
	600W	NAMJ-0606	NAMJ-0806	NAMJ-1006	NAMJ-1206	NAMJ-1506	NAMJ-2006
	700W	NAMJ-0607	NAMJ-0807	NAMJ-1007	NAMJ-1207	NAMJ-1507	NAMJ-2007
	800W	NAMJ-0608	NAMJ-0808	NAMJ-1008	NAMJ-1208	NAMJ-1508	NAMJ-2008
	900W	NAMJ-0609	NAMJ-0809	NAMJ-1009	NAMJ-1209	NAMJ-1509	NAMJ-2009
	1000W	NAMJ-0610	NAMJ-0810	NAMJ-1010	NAMJ-1210	NAMJ-1510	NAMJ-2010



(Units: mm)

側夾式線槽蓋板固定夾
E-TYPE COVER CLAMP

CAT. NO.	材 質 Materials
NTME-40	不銹鋼板 Stainless steel