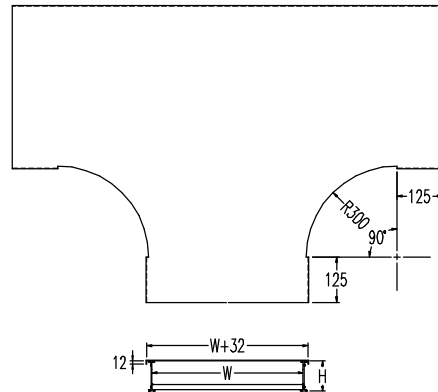
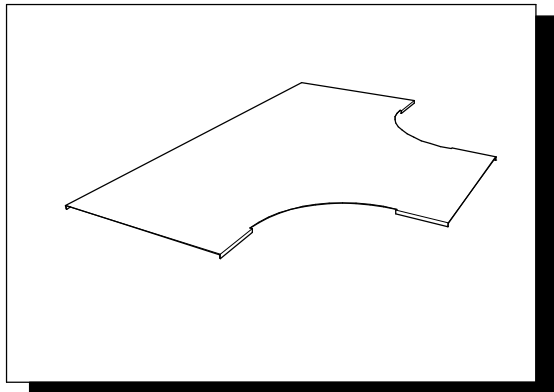


## ALTC-水平 T 形彎頭蓋板(HORIZONTAL TEE ELBOW COVER)

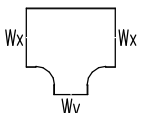


材 質 : 鋁板 1050-H16  
 表面處理 : 陽極處理  
 MATERIAL : ALUMINUM FLAT SHEETS 1050-H16  
 FINISH : ALUMINUM ANODIC TREATMENT

異徑水平 T 形彎頭蓋板的 CAT.NO. 編碼方式如下:

[例] 異徑水平 T 形彎頭蓋板 (900Wx500W)x100H

CAT. NO.: ALTG-1095


 線槽 Y 軸寬 Wy: 1=100mm, 2=200mm, 3=300mm, ..., 9=900mm, 0=1000mm  
 線槽 X 軸寬 Wx: 1=100mm, 2=200mm, 3=300mm, ..., 9=900mm, 0=1000mm  
 邊槽高度 H: 06=60mm, 08=80mm, 10=100mm, 12=120mm, 15=150mm, 20=200mm  
 異徑水平 T 形彎頭蓋板

(Units: mm)

CAT. NO. \ H	60H	80H	100H	120H	150H	200H
100	ALTC-0601	ALTC-0801	ALTC-1001	ALTC-1201	ALTC-1501	ALTC-2001
200	ALTC-0602	ALTC-0802	ALTC-1002	ALTC-1202	ALTC-1502	ALTC-2002
300	ALTC-0603	ALTC-0803	ALTC-1003	ALTC-1203	ALTC-1503	ALTC-2003
400	ALTC-0604	ALTC-0804	ALTC-1004	ALTC-1204	ALTC-1504	ALTC-2004
500	ALTC-0605	ALTC-0805	ALTC-1005	ALTC-1205	ALTC-1505	ALTC-2005
600	ALTC-0606	ALTC-0806	ALTC-1006	ALTC-1206	ALTC-1506	ALTC-2006
700	ALTC-0607	ALTC-0807	ALTC-1007	ALTC-1207	ALTC-1507	ALTC-2007
800	ALTC-0608	ALTC-0808	ALTC-1008	ALTC-1208	ALTC-1508	ALTC-2008
900	ALTC-0609	ALTC-0809	ALTC-1009	ALTC-1209	ALTC-1509	ALTC-2009
1000	ALTC-0610	ALTC-0810	ALTC-1010	ALTC-1210	ALTC-1510	ALTC-2010