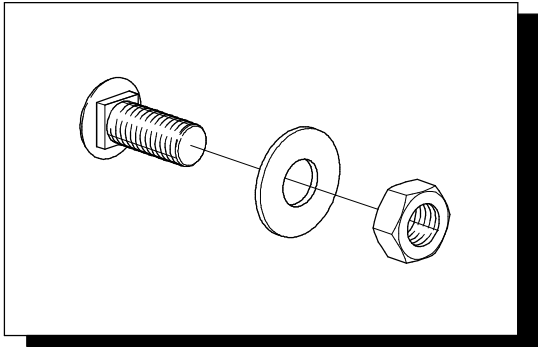


NTNB-馬車螺絲(SQUARE NECK BOLT)

NSTR-全牙螺桿(THREADED ROD)

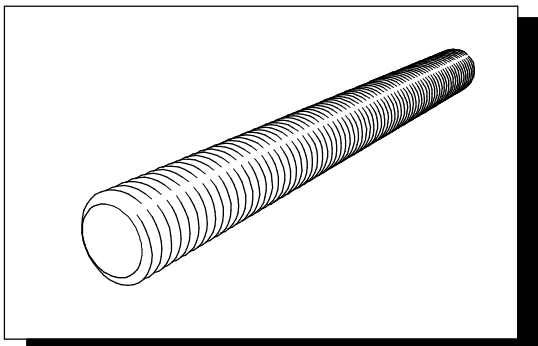


馬車螺絲 SQUARE NECK BOLT			
CAT. NO.	dφ	L	材質 Material
NSNB-0205	1/4"	5/8"	鐵製, 電鍍鋅 Steel
NTNB-0205			不銹鋼製 Stainless steel SUS304

(Units: mm)

馬車螺絲、華司、螺帽—尺寸圖 DIMENSION FOR SQUARE NECK BOLT		
BOLT	WASHER	NUT

(Units: mm)



全牙螺桿 THREADED ROD			
CAT. NO.	dφ	L	材質 Material
NSTR-0310	3/8"	1000	鐵製, 電鍍鋅 Steel
NSTR-0330		3000	
NSTR-0410	1/2"	1000	
NSTR-0430		3000	
NTR-0310	3/8"	1000	不銹鋼製 Stainless steel SUS304
NTR-0330		3000	
NTR-0410	1/2"	1000	
NTR-0430		3000	

