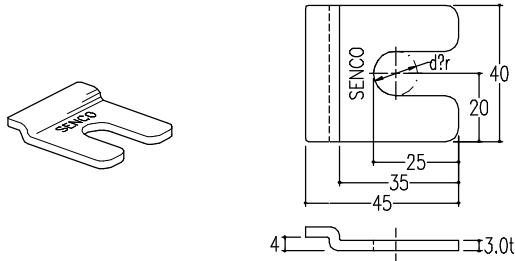


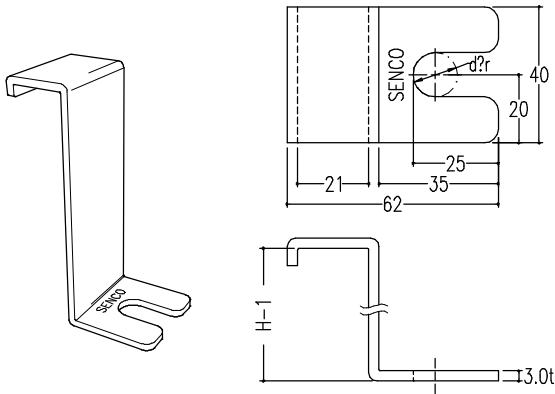
- NSHD -線槽內側固定片(INSIDE HOLD DOWN CLAMP)
- NSHZ -線槽外側固定片(OUTSIDE HOLD DOWN CLAMP)
- NSSN -彈簧螺帽(SPRING NUT)
- NSTC -全牙螺桿固定片(THREADED ROD CLAMP)

(Units: mm)



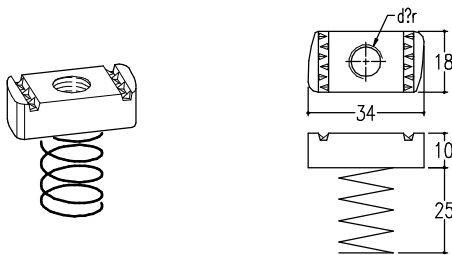
線槽內側固定片 INSIDE HOLD DOWN CLAMP		
CAT. NO.	dφ	材質 Material
NSHD-04	1/2"	鋼板, 電鍍鋅 Steel sheet
NTHD-04		不銹鋼板 Stainless steel SUS304

(Units: mm)



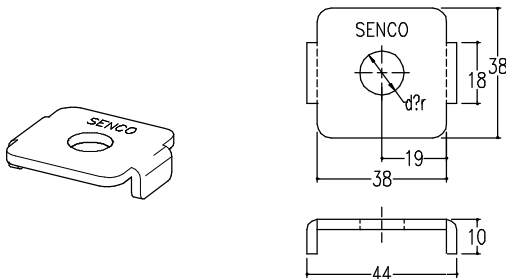
線槽外側固定片 OUTSIDE HOLD DOWN CLAMP			
CAT. NO.	dφ	H	材質 Material
NSHZ-0406	1/2"	60	鋼板, 電鍍鋅 Steel sheet
NSHZ-0408		80	
NSHZ-0410		100	
NSHZ-0412		120	
NSHZ-0415		150	
NSHZ-0420		200	
NTHZ-0406	1/2"	60	不銹鋼板 Stainless steel SUS304
NTHZ-0408		80	
NTHZ-0410		100	
NTHZ-0412		120	
NTHZ-0415		150	
NTHZ-0420		200	

(Units: mm)



彈簧螺帽 SPRING NUT		
CAT. NO.	dφ	材質 Material
NSSN-03	3/8"	可鍛鑄鐵, 電鍍鋅 Malleable steel iron
NSSN-04	1/2"	Malleable steel iron

(Units: mm)



全牙螺桿固定片 THREADED ROD CLAMP		
CAT. NO.	dφ	材質 Material
NSTC-04	1/2"	鋼板, 電鍍鋅 Steel sheet
NTTC-04		不銹鋼板 Stainless steel SUS304