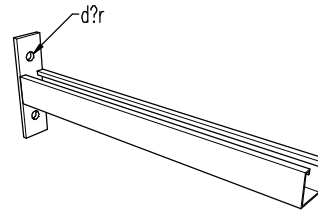
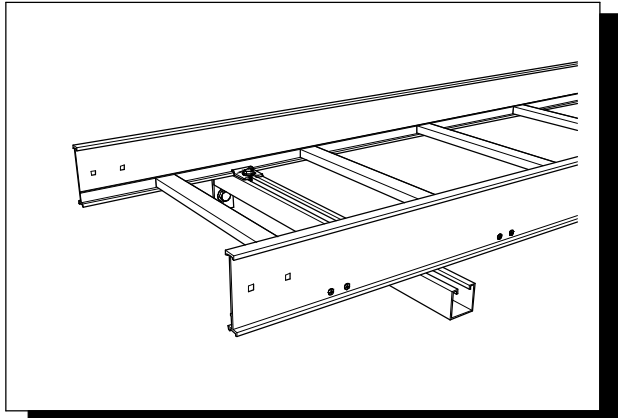


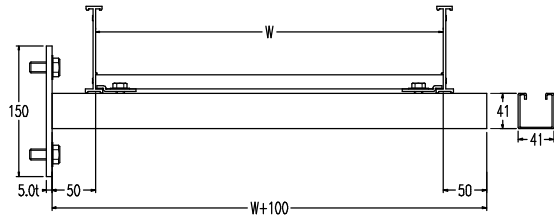
NGWS -單槽壁架(SINGLE BRACKET)

NGWD -雙槽壁架(DOUBLE BRACKET)

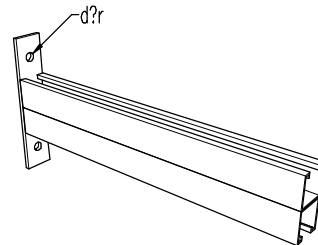
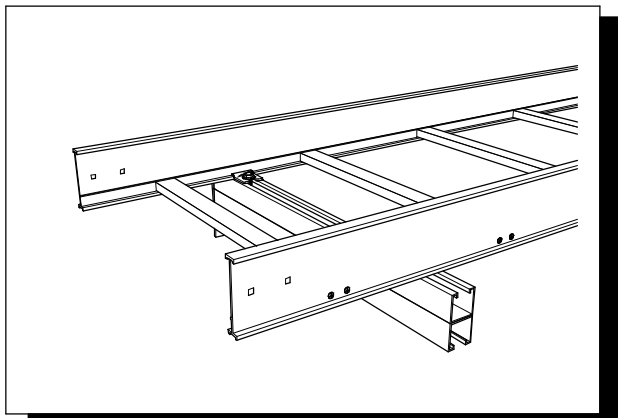


(Units: mm)

線槽壁架示意圖  
SUPPORTING CABLE TRAY DWG.

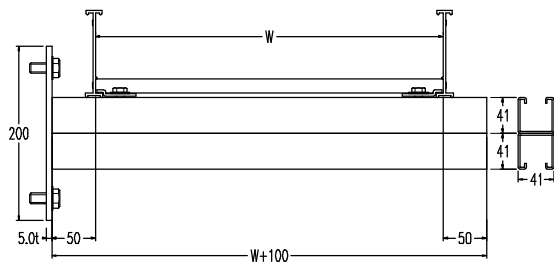


單槽壁架 SINGLE BRACKET			
CAT. NO.	W	dφ	材質 Material
NGWS-01	100	1/2"	鍍鋅鋼板 Galvanized steel sheet
NGWS-02	200		
NGWS-03	300		
NGWS-04	400		
NGWS-05	500		
NGWS-06	600		
NGWS-07	700		
NGWS-08	800		
NGWS-09	900		
NGWS-10	1000		



(Units: mm)

線槽壁架示意圖  
SUPPORTING CABLE TRAY DWG.



雙槽壁架 DOUBLE BRACKET			
CAT. NO.	W	dφ	材質 Material
NGWD-01	100	1/2"	鍍鋅鋼板 Galvanized steel sheet
NGWD-02	200		
NGWD-03	300		
NGWD-04	400		
NGWD-05	500		
NGWD-06	600		
NGWD-07	700		
NGWD-08	800		
NGWD-09	900		
NGWD-10	1000		