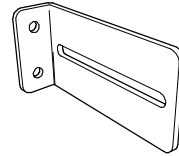
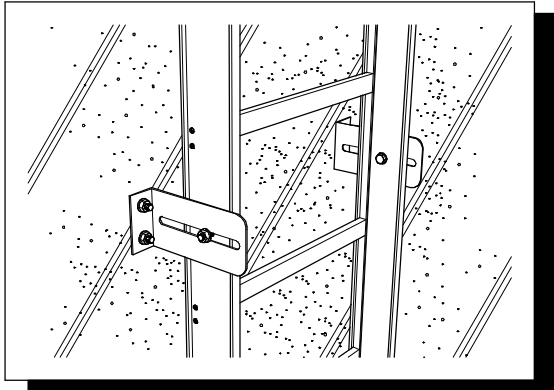


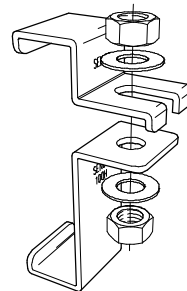
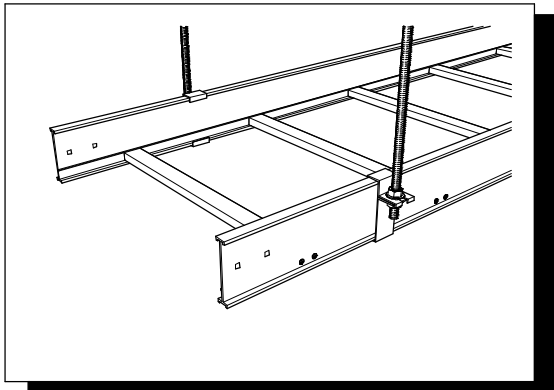
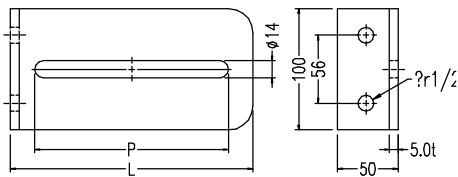
NSWP-垂直線槽支撐架(WALL SUPPORT)

NTHC-線槽吊夾(HANGER CLAMP)



(Units: mm)

垂直線槽支撐架 WALL SUPPORT			
CAT. NO.	L	P	材質 Material
NSWP-150	150	110	鋼板, 電鍍鋅 Steel sheet
NSWP-200	200	160	
NSWP-250	250	210	
NTWP-150	150	110	不銹鋼板 Stainless steel SUS304
NTWP-200	200	160	
NTWP-250	250	210	



(Units: mm)

線槽吊夾 HANGER CLAMP			
CAT. NO.	H	d ϕ	材質 Material
NTHC-06	60	1/2"	不銹鋼板 Stainless steel SUS304
NTHC-08	80		
NTHC-10	100		
NTHC-12	120		
NTHC-15	150		
NTHC-20	200		

