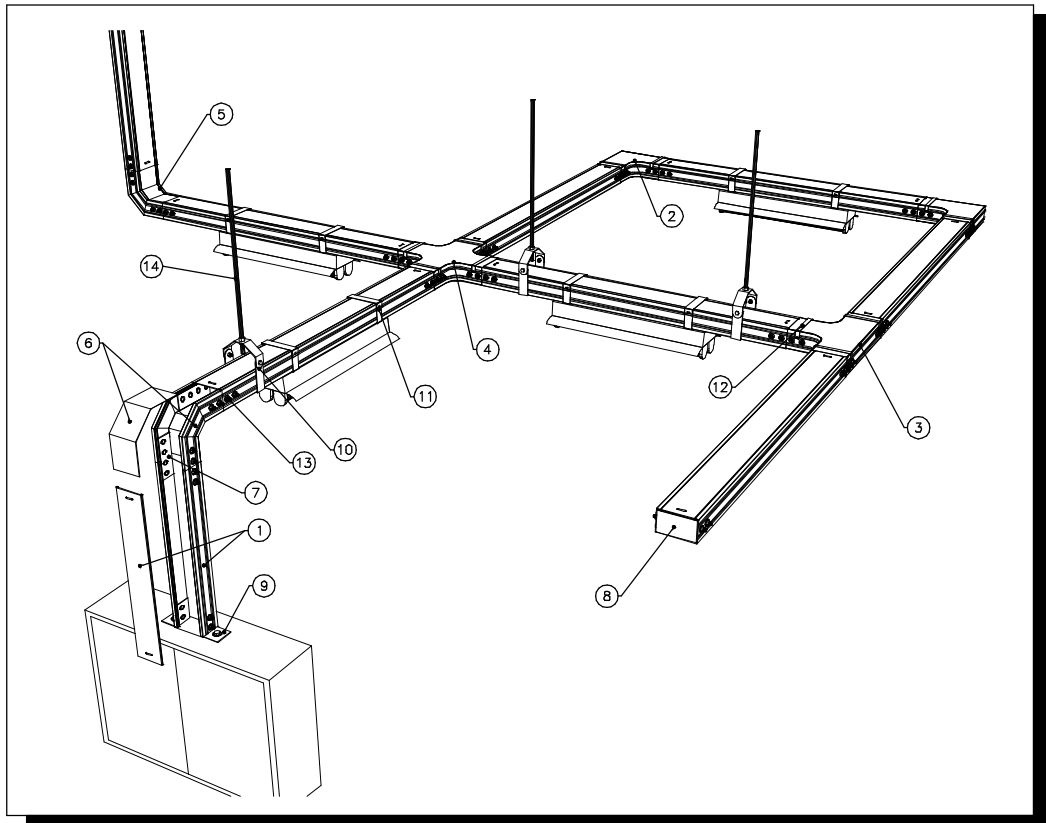


燈槽施工示意圖(RACEWAY ASSEMBLY LAYOUT DWG.)



No.	DESCRIPTION	PAGE
1	直式燈槽 STRAIGHT RACEWAY	56
2	水平L形燈槽彎頭 HORIZONTAL 90° ELBOW	57
3	水平T形燈槽彎頭 HORIZONTAL TEE ELBOW	58
4	水平X形燈槽彎頭 HORIZONTAL CROSS ELBOW	59
5	垂直上升燈槽彎頭 VERTICAL INSIDE ELBOW	60-61
6	垂直下降燈槽彎頭 VERTICAL OUTSIDE ELBOW	62-63
7	燈槽連接片 CONNECTOR	64
8	燈槽終端封板 END COVER	64
9	燈槽配電盤連接片 PANEL PLATE CONNECTOR	65
10	燈槽吊環 HANGER CLAMP	65
11	燈具吊夾 LIGHTING CLAMP	66
12	彎頭蓋板固定夾 ELBOW COVER CLAMP	66
13	馬車螺絲 SQUARE NECK BOLT	67
14	全牙螺桿 THREADED ROD	67